

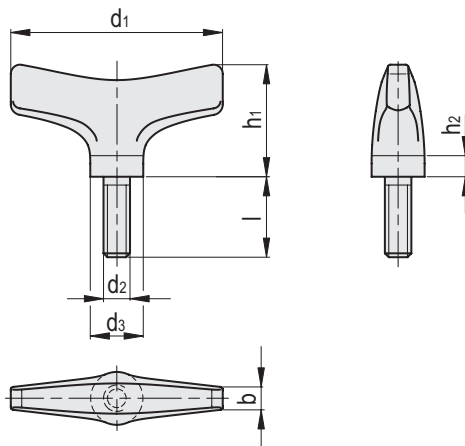
- 1
- 2
- 3
- 4
- 5
- 6
- 7
- 8
- 9
- 10
- 11
- 12
- 13
- 14
- 15
- 16
- 17
- 18

SPECIFICATION

Stainless Steel-precision casting:
 - AISI 316
 - Sand-blasted matte finish. **MT**
 - Polished finish **PL**

FEATURES AND APPLICATIONS

Stainless steel wing screws GN 8350 clamp and fasten parts easily without tools. The ergonomic shape allows for high tightening forces. The wing screws can also be used in particularly aggressive environments thanks to the material used.



GN 8350-MT



Code	Description	d1	d2	d3	b	h1	h2	l	
GN.43001	GN 8350-32-M5-10-MT	32	M 5	9	4	18	3	10	18
GN.43003	GN 8350-32-M5-12-MT	32	M 5	9	4	18	3	12	18
GN.43005	GN 8350-32-M5-16-MT	32	M 5	9	4	18	3	16	19
GN.43007	GN 8350-32-M5-20-MT	32	M 5	9	4	18	3	20	19
GN.43011	GN 8350-32-M6-12-MT	32	M 6	9	4	18	3	12	19
GN.43013	GN 8350-32-M6-16-MT	32	M 6	9	4	18	3	16	20
GN.43015	GN 8350-32-M6-20-MT	32	M 6	9	4	18	3	20	21
GN.43017	GN 8350-32-M6-25-MT	32	M 6	9	4	18	3	25	22
GN.43021	GN 8350-40-M6-12-MT	40	M 6	11	4	21	3	12	32
GN.43023	GN 8350-40-M6-16-MT	40	M 6	11	4	21	3	16	33
GN.43025	GN 8350-40-M6-20-MT	40	M 6	11	4	21	3	20	34
GN.43027	GN 8350-40-M6-25-MT	40	M 6	11	4	21	3	25	35
GN.43031	GN 8350-40-M8-16-MT	40	M 8	11	4	21	3	16	36
GN.43033	GN 8350-40-M8-20-MT	40	M 8	11	4	21	3	20	37
GN.43035	GN 8350-40-M8-25-MT	40	M 8	11	4	21	3	25	39
GN.43037	GN 8350-40-M8-30-MT	40	M 8	11	4	21	3	30	41
GN.43041	GN 8350-50-M8-16-MT	50	M 8	13	6	26	3	16	61
GN.43043	GN 8350-50-M8-20-MT	50	M 8	13	6	26	3	20	62
GN.43045	GN 8350-50-M8-25-MT	50	M 8	13	6	26	3	25	64
GN.43047	GN 8350-50-M8-30-MT	50	M 8	13	6	26	3	30	66
GN.43051	GN 8350-50-M10-20-MT	50	M 10	13	6	26	3	20	67
GN.43053	GN 8350-50-M10-25-MT	50	M 10	13	6	26	3	25	70
GN.43055	GN 8350-50-M10-30-MT	50	M 10	13	6	26	3	30	73
GN.43057	GN 8350-50-M10-40-MT	50	M 10	13	6	26	3	40	79
GN.43061	GN 8350-63-M10-20-MT	63	M 10	16	11	33	4	20	113
GN.43063	GN 8350-63-M10-25-MT	63	M 10	16	11	33	4	25	116
GN.43065	GN 8350-63-M10-30-MT	63	M 10	16	11	33	4	30	119
GN.43067	GN 8350-63-M10-40-MT	63	M 10	16	11	33	4	40	125
GN.43071	GN 8350-63-M12-25-MT	63	M 12	16	11	33	4	25	123
GN.43073	GN 8350-63-M12-30-MT	63	M 12	16	11	33	4	30	127
GN.43075	GN 8350-63-M12-40-MT	63	M 12	16	11	33	4	40	136
GN.43077	GN 8350-63-M12-50-MT	63	M 12	16	11	33	4	50	145

GN 8350-PL



Code	Description	d1	d2	d3	b	h1	h2	l	
GN.43002	GN 8350-32-M5-10-PL	32	M 5	9	4	18	3	10	18
GN.43004	GN 8350-32-M5-12-PL	32	M 5	9	4	18	3	12	18
GN.43006	GN 8350-32-M5-16-PL	32	M 5	9	4	18	3	16	19
GN.43008	GN 8350-32-M5-20-PL	32	M 5	9	4	18	3	20	19
GN.43012	GN 8350-32-M6-12-PL	32	M 6	9	4	18	3	12	19
GN.43014	GN 8350-32-M6-16-PL	32	M 6	9	4	18	3	16	20
GN.43016	GN 8350-32-M6-20-PL	32	M 6	9	4	18	3	20	21
GN.43018	GN 8350-32-M6-25-PL	32	M 6	9	4	18	3	25	22
GN.43022	GN 8350-40-M6-12-PL	40	M 6	11	4	21	3	12	32
GN.43024	GN 8350-40-M6-16-PL	40	M 6	11	4	21	3	16	33
GN.43026	GN 8350-40-M6-20-PL	40	M 6	11	4	21	3	20	34
GN.43028	GN 8350-40-M6-25-PL	40	M 6	11	4	21	3	25	35
GN.43032	GN 8350-40-M8-16-PL	40	M 8	11	4	21	3	16	36
GN.43034	GN 8350-40-M8-20-PL	40	M 8	11	4	21	3	20	37
GN.43036	GN 8350-40-M8-25-PL	40	M 8	11	4	21	3	25	39
GN.43038	GN 8350-40-M8-30-PL	40	M 8	11	4	21	3	30	41
GN.43042	GN 8350-50-M8-16-PL	50	M 8	13	6	26	3	16	61
GN.43044	GN 8350-50-M8-20-PL	50	M 8	13	6	26	3	20	62
GN.43046	GN 8350-50-M8-25-PL	50	M 8	13	6	26	3	25	64
GN.43048	GN 8350-50-M8-30-PL	50	M 8	13	6	26	3	30	66
GN.43052	GN 8350-50-M10-20-PL	50	M 10	13	6	26	3	20	67
GN.43054	GN 8350-50-M10-25-PL	50	M 10	13	6	26	3	25	70
GN.43056	GN 8350-50-M10-30-PL	50	M 10	13	6	26	3	30	73
GN.43058	GN 8350-50-M10-40-PL	50	M 10	13	6	26	3	40	79
GN.43062	GN 8350-63-M10-20-PL	63	M 10	16	11	33	4	20	113
GN.43064	GN 8350-63-M10-25-PL	63	M 10	16	11	33	4	25	116
GN.43066	GN 8350-63-M10-30-PL	63	M 10	16	11	33	4	30	119
GN.43068	GN 8350-63-M10-40-PL	63	M 10	16	11	33	4	40	125
GN.43072	GN 8350-63-M12-25-PL	63	M 12	16	11	33	4	25	123
GN.43074	GN 8350-63-M12-30-PL	63	M 12	16	11	33	4	30	127
GN.43076	GN 8350-63-M12-40-PL	63	M 12	16	11	33	4	40	136
GN.43078	GN 8350-63-M12-50-PL	63	M 12	16	11	33	4	50	145

Clamping elements